

# AC axial fan

S series



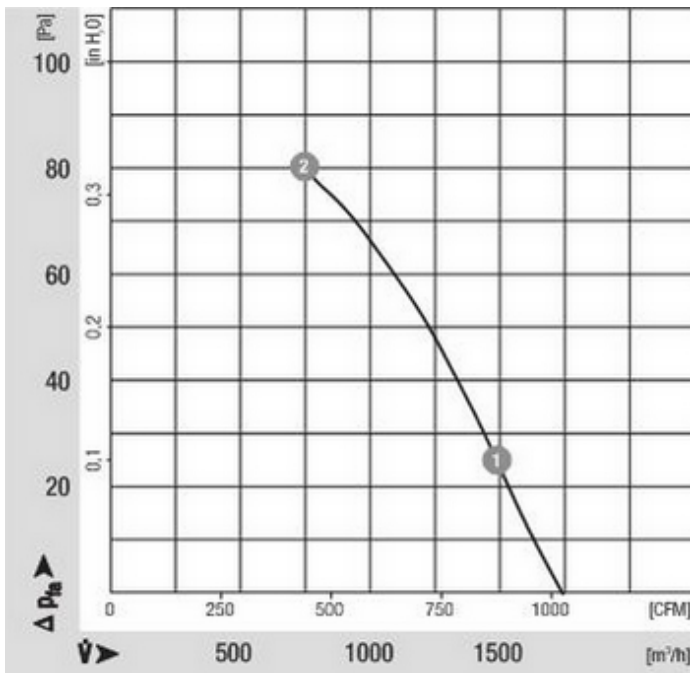
- **Design:** Basket guard grille
- **Impeller material:** Sheet steel (enameled in black)
- **Bearings:** Maintenance-free ball bearings

Nominal data		Voltage	Frequency	Air flow	Speed	Power consumption	Current draw	Capacitor capacity	Sound pressure level	Operative range 50Hz	Ambient temperature 50Hz	Weight
Type	Motor	1- VAC	Hz	m <sup>3</sup> /h	1/min	W	A	uF/V	dB(A)	Pa	°C	kg
S4E300AP2630	M4E068CF	230	50	1740	1400	68	0.30	2.0 / 400	59	0.. 80	-25 .. 60	1.9

Subject to modification

Characteristic: Pressure over air flow at 50Hz

n	P <sub>1</sub>	I	LpA	ntL
[1/min]	[W]	[A]	[dBA]	[%]

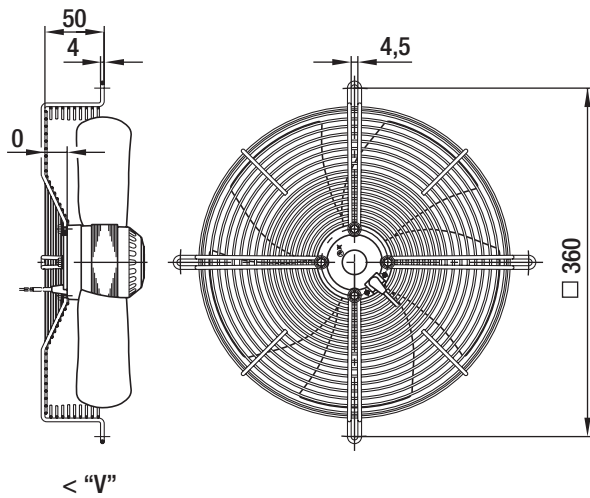


1	1390	72	--	--	--
2	1290	88	--	--	--

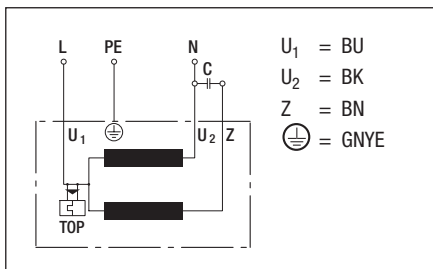
# AC axial fan

S series

## Specific drawing



## Connection illustration



## Technical description

- **Design:** Basket guard grille
- **Bearings:** Maintenance-free ball bearings
- **Direction of flow:** "V"
- **Cable layout:** Axial
- **Insulation class:** "B"
- **System of protection:** IP 44
- **Impeller material:** Sheet steel (enameled in black)
- **Direction of rotation:** Left, looking at rotor
- **Number of impeller blades:** 5
- **Operating mode:** S1
- **Protection class:** I

## Contact

ebm-papst Mulfingen GmbH & Co. KG

Bachmühle 2

D-74673 Mulfingen

Phone +49 (0) 79 38 / 81-0

Fax +49 (0) 79 38 / 81-110

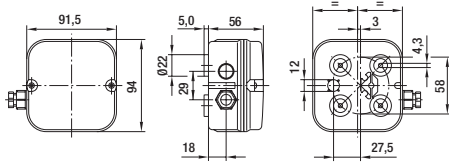
info1@de.ebmpapst.com

www.ebmpapst.com

# Terminal box

Order No.

64442-1-7612



## Technical description

- **General description:** 2-part terminal box for AC motors of size 068, with 4-pole terminal strip. Suitable for installation of a capacitor up to max. 10  $\mu$ F.  
- **System of protection:** IP 54

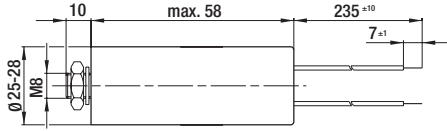
- **Material:** ABS

## Contact

ebm-papst Mulfingen GmbH & Co. KG  
Bachmühle 2  
D-74673 Mulfingen  
Phone +49 (0) 79 38 / 81-0  
Fax +49 (0) 79 38 / 81-110  
info1@de.ebmpapst.com  
www.ebmpapst.com

# MKP motor capacitor (without fuse), 2.0 $\mu$ F

Order No.	Capacity
99283-4-7320	2.0 $\mu$ F



## Technical description

- **Material:** Housing of Thermoplast
- **Connecting cable:** Multi-core PVC wire 0.5 mm<sup>2</sup> (16 x 0.2 mm<sup>2</sup>) with wire-end clamp
- **Approvals:** VDE in accordance with DIN EN 60252 (VDE 0560/8)
- **Expected service life:** 400 VDB; -25 to +85°C; 30,000 hrs.; Class A  
450 VDB; -25 to +85°C; 10,000 hrs.; Class B

## Contact

ebm-papst Mulfingen GmbH & Co. KG  
Bachmühle 2  
D-74673 Mulfingen  
Phone +49 (0) 79 38 / 81-0  
Fax +49 (0) 79 38 / 81-110  
info1@de.ebmpapst.com  
www.ebmpapst.com