

AC axial fan

S series



- **Design:** Basket guard grille
- **Impeller material:** Sheet steel (enameled in black)
- **Bearings:** Maintenance-free ball bearings

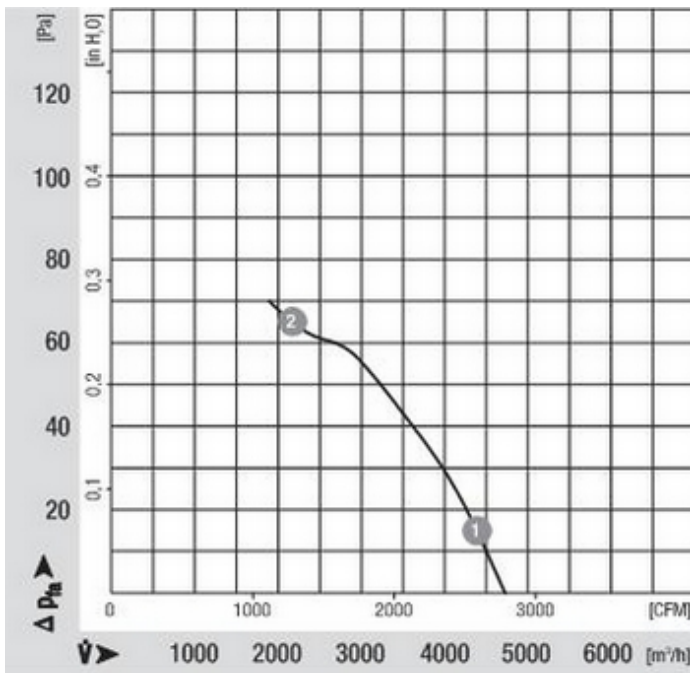
Nominal data		Voltage	Frequency	Air flow	Speed	Power consumption	Current draw	Capacitor capacity	Sound pressure level	Operative range 50Hz	Ambient temperature 50Hz	Weight
Type	Motor	1- VAC	Hz	m ³ /h	1/min	W	A	uF/V	dB(A)	Pa	°C	kg
S6E450AP0201	M6E074GA	230	50	4725	980	165	0.80	4.0 / 450	63	0.. 70	-25 .. 40	5.0

Subject to modification

Characteristic: Pressure over air flow at 50Hz

n	P ₁	I	LpA	ntL
[1/min]	[W]	[A]	[dBA]	[%]

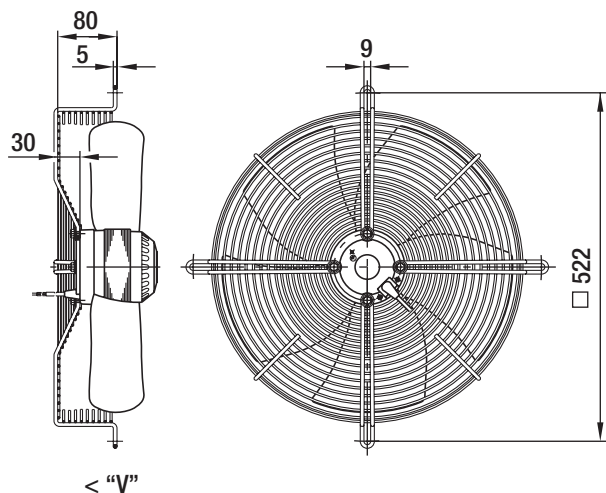
1	930	171	--	--	--
2	870	200	--	--	--



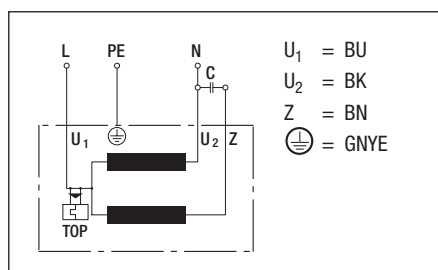
AC axial fan

S series

Specific drawing



Connection illustration



Technical description

- **Design:** Basket guard grille
- **Bearings:** Maintenance-free ball bearings
- **Direction of flow:** "V"
- **Cable layout:** Variable
- **Insulation class:** "B"
- **System of protection:** IP 44
- **Impeller material:** Sheet steel (enameled in black)
- **Direction of rotation:** Left, looking at rotor
- **Number of impeller blades:** 5
- **Operating mode:** S1
- **Protection class:** I
- **Option:** With terminal box

Contact

ebm-papst Mulfingen GmbH & Co. KG

Bachmühle 2

D-74673 Mulfingen

Phone +49 (0) 79 38 / 81-0

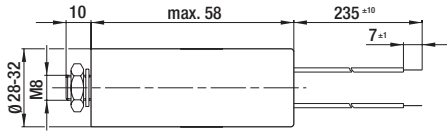
Fax +49 (0) 79 38 / 81-110

info1@de.ebmpapst.com

www.ebmpapst.com

MKP motor capacitor (without fuse), 4.0 μ F

Order No.	Capacity
99284-4-7320	4.0 μ F



Technical description

- **Material:** Housing of Thermoplast
- **Connecting cable:** Multi-core PVC wire 0.5 mm² (16 x 0.2 mm²) with wire-end clamp
- **Approvals:** VDE in accordance with DIN EN 60252 (VDE 0560/8)
- **Expected service life:** 400 VDB; -25 to +85°C; 30,000 hrs.; Class A
450 VDB; -25 to +85°C; 10,000 hrs.; Class B

Contact

ebm-papst Mulfingen GmbH & Co. KG
Bachmühle 2
D-74673 Mulfingen
Phone +49 (0) 79 38 / 81-0
Fax +49 (0) 79 38 / 81-110
info1@de.ebmpapst.com
www.ebmpapst.com